



GUTMANN

EDITION #03/2024



GUTNEWS

PAGE 6

New photovoltaic system

GUTMANN is committed to carbon neutrality and is investing millions in sustainable photovoltaic energy.

PAGE 12

Project story

The Steigäcker warehouse and office building asserts itself through its clear design and powerful presence.

PAGE 22

System DECCO

The symbiosis of plastic and aluminium is characterised especially by its versatility in design and application.

WELCOME





CONTENT

Top employer	4
New photovoltaic system	6
New office, new paths	8
Projects	10
Warehouse and office building Steigäcker	10
Office building Weidt Park Corner	14
Community hall Versmold	16
Forest adventure center Schernfeld	18
m17 Berlin	20
Sytem DECCO	22
Aluminium fall-prevention grid FPA	24
MIRA contour system tests	26
LARA GF Extension	27



BEST EMPLOYER

■ SURVEY BY STERN AND STATISTA 2024

GUTMANN was recognised as one of Germany's leading employers in the building materials and metals sector in 30th place.

Many thanks to all members of the GUTMANN Group! Your trust and commitment have made this success possible. We are continuing to work on creating an inspiring environment in which everyone feels comfortable.

Together we strive to remain at the top in the coming year. ■

RANK	EMPLOYER	SCORE	TOTAL RANK	NUMBER OF EMPLOYEES	HEADQUARTERS
1	BMI Group	76.52	44	1700	Oberursel
2	3M Germany	72.94	117	6564	Neuss
3	Villeroy & Boch	72.82	123	2543	Mettlach
4	Schueco International	72.65	132	3940	Bielefeld
5	Salzgitter	71.25	189	18142	Salzgitter
6	GEZE	71.20	190	1500	Leonberg
7	Huettenwerke Krupp Mannesmann (HKM)	70.67	218	3000	Duisburg
8	Buderus Edelstahl	70.45	235	1260	Wetzlar
9	Arcelor-Mittal	70.20	254	9000	Hamburg
10	Witzenmann	70.07	265	1934	Pforzheim
11	Knauf Gips	70.06	267	>500	Iphofen
12	Dillinger Huettenwerke	70.01	270	3525	Dillingen/Saar
13	Peri	69.68	292	2195	Weissenhorn
14	Delo Industrie Klebstoffe	69.53	304	1000	Windach
15	Benteler	69.29	320	7000	Paderborn
16	Saarstahl	69.24	330	3553	Voelklingen
17	Heidelberg Materials	69.07	344	4000	Heidelberg
18	ASML	69.05	345	1400	Berlin
19	Aalberts Surface Technologies	69.04	347	>500	Kerpen
20	Dyckerhoff	68.80	365	1796	Wiesbaden
21	Schott	68.75	367	5900	Mainz
22	Thyssenkrupp	68.74	368	51649	Essen
23	Hansa-Flex	67.79	437	2090	Bremen
24	Bauser	67.51	463	>500	Stuttgart
25	Kemmler	67.07	508	2070	Tuebingen
26	Boellhoff	66.77	539	1400	Bielefeld
27	Siempelkamp	66.08	603	2652	Krefeld
28	KME Germany	65.77	628	940	Osnabrueck
29	Rehau	65.74	632	10000	Rehau
30	Gutmann	65.61	648	1300	Weissenburg



Rank 30 in the building materials and metals sector



Click here for the article from STERN.de:

GUTMANN IS COMMITTED TO *CARBON NEUTRALITY*: MILLIONS INVESTED IN SUSTAINABLE *PHOTOVOLTAIC ENERGY*

■ SUSTAINABILITY - NEWS

GUTMANN is pleased to announce the installation of a ground-breaking photovoltaic system with a capacity of 1,400 kWp. The system has already been installed on our rooftops at the Weissenburg location and will generate part of our own electricity consumption in a CO²-neutral way from April.





The PV elements were installed on an area of 6,639.3 m² and will be put into operation in April. Responsible for the planning and realisation was the company B&S Sicherheits- und Elektrotechnik GmbH. GUTMANN has embarked on the path to a green energy future. This project not only serves to improve our own environmental balance, but should also serve as an inspiring example for other companies. ■

The network-connected PV system, which operates in conjunction with electrical consumers, symbolizes a milestone in our initiative for environmentally friendly energy generation. With the implementation of a total of 3,400 PV modules and 28 inverters, GUTMANN has used the latest technology to achieve a significant generation capacity and noticeably reduce our greenhouse gas emissions.

GUTMANN focusses on green energy - a pioneering step

Managing Director Arnd Brinkmann emphasized: "This investment reflects our ongoing commitment to sustainability and eco-friendly action. The annual avoidance of 645,243 kg of CO² emissions is a clear step towards our environmental goals."



Experience the video:

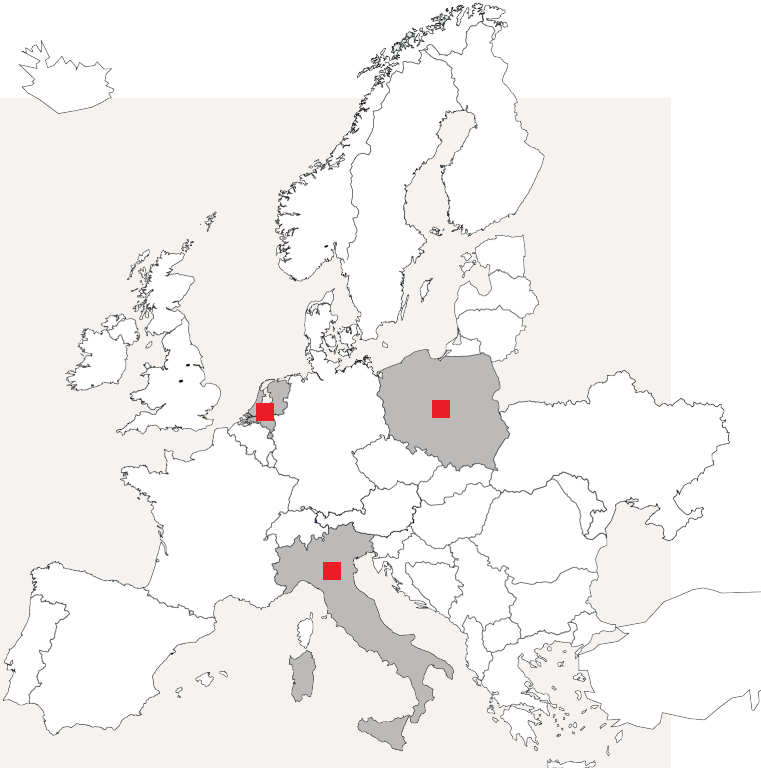
NEW OFFICE

NEW PATHS

■ GUTMANN EXPORT - NEWS

GUTMANN is not only represented at its headquarters in Germany, but also in more than 20 European countries - and this number is constantly growing. Our teams are expanding, new offices are being created and GUTMANN's growth continues. Three more locations have already been opened since the end of 2023.

We wish our colleagues every success in the new offices and on their new paths. ■



GUTMANN Nederland

Location: Herten, Netherlands
Opening: November, 2023
The team, from left: Dionne Smeets, Geri Eichinger, Martin Mulder, Kuno van der Meijs



GUTMANN Polska

Location: Bydgoszcz, Poland
Opening: February, 2024
The team, from left: Paweł Cymkiej, Dawid Kapsa, Artur Balcerski, Janusz Gaszczyk



GUTMANN Italia

Location: Minerbe, Italy
Opening: January, 2024
The team: Davide Lonardoni (on the left in the picture), Marco Zenoniani (on the right), Enrico Stellini





WAREHOUSE AND OFFICE BUILDING *STEIGÄCKER*

System:
GUTMANN MIRA contour

Location:
Reutlingen-Altenburg, Germany

Completion of the Building:
2021

Architect:
Architekturbüro Manderscheid

Building Owner:
Baumhaus GbR

Copyright:
Johannes-Maria Schlorke, www.j-ms.de



CLEAR DESIGN, POWERFUL PRESENCE

■ WAREHOUSE AND OFFICE BUILDING STEIGÄCKER

The object is not only an architectural work of art, but also a place of functional excellence: we proudly present the warehouse and office building in the Reutlingen-Altensburg industrial estate.

The warehouse and office building, which is relatively small compared to the surrounding development, stands its ground through a certain height and the striking design. The clear, straightforward design of the building was realised following the explicit wish of the client. The façade plays a central role here: it not only shapes the outer appearance, but also fulfils technical and functional requirements. Our window system MIRA contour offered the perfect solution - slim design, a wide range of colour variants and the option of designing the exterior in black.

Harmonious interplay of aesthetics and functionality.

Thanks to our wood-aluminium construction, the interiors are imbued with the pleasant warmth of wood, while the weatherproof, black aluminium profiles provide durability on the outside. The fusion of appealing design and high functionality creates a unique environment.





Mastering challenges

The challenges in planning were to realise a successful design at a reasonable price and at the same time to create an ecologically demanding and durable building. Special requirements of the client were met, such as easy maintenance, high energy efficiency and the burglary protection integrated in some windows.

Responsible for the planning was the Mander-scheid architectural office from Tübingen, which was founded in 1971 and specialises in the renovation of old buildings, the preservation of historical monuments and residential construction. With a broad spectrum of knowledge and experience, they were also able to successfully realise this extraordinary project. The construction phase extended until completion in 2021. ■





OFFICE BUILDING

WEIDT PARK CORNER

System:
GUTMANN Customised Construction

Location:
Berlin, Germany

Completion of the Building:
2021

Architect:
Staab Architekten

Building Owner:
DWI Grundbesitz GmbH

Fabricator:
HASKAMP GmbH & Co. KG

Copyright:
Rainer Rehfeld



COMMUNITY HALL

VERSMOLD

System:
GUTMANN MIRA contour

Location:
Versmold, Germany

Completion of the Building:
2020

Architect:
Architekten Wannemacher + Möller GmbH

Fabricator:
Gronau GmbH & Co. KG, Versmold

Building Owner:
Ev.-Luth. Kirchengemeinde Versmold

Copyright:
Csaba Mester







FOREST EXPERIENCE CENTRE *SCHERNFELD*

System:
GUTMANN LARA GF 50
GUTMANN MIRA contour

Location:
Schernfeld, Germany

Completion of the Building:
2022

Architect:
Staatliches Bauamt Ingolstadt

Building Owner:
Amt für Ernährung, Landwirtschaft und
Forsten Ingolstadt-Pfaffenhofen

Fabricator:
Schreinerei Bachl Wemding

Copyright:
Michael Heinrich, Munich



M17

BERLIN

System:
GUTMANN MIRA contour

Location:
Berlin, Germany

Completion of the Building:
2022

Architect:
zanderroth gmbh

Building Owner:
Baugemeinschaft Magazinstraße
GmbH & Co. KG

Fabricator:
Fensterbau Jähnke GmbH

Copyright:
Simon Menges





GUTMANN *DECCO*



■ WINDOW SYSTEM

PVC-Aluminium Symbiosis

The symbiosis of plastic and aluminium is characterised especially by its versatility in design and application. ■

FIND OUT MORE:



FAST, PRECISE AND RATIONAL



Ready-made frames delivered on commission



Easy & fast processing



Angled/triangular windows without additional effort



Wide range of colours thanks to our own coating



Sustainable materials - recyclable



Digital ordering

A FINISHED WINDOW IN *FOUR MINUTES*

Thanks to prefabricated frames with welded corners, the aluminium deck shell can be assembled in 4 minutes! ■

FINISHED FRAMES,
SEPARATELY REMOVABLE



APPLY COLD WELDING LIQUID



PLACE ALUMINIUM FRAME



DONE!



GUTMANN

FPA



■ ALUMINIUM FALL-PREVENTION GRID

Function, safety, aesthetics.

GUTMANN FPA fall protection railings offer a convincingly high standard of functionality and safety. With their timelessly elegant design, they also blend in harmoniously with modern architecture.

They are characterized by an unobtrusive, filigree look thanks to optimized upper and lower bars and the fact that the vertical bars are equally spaced, regardless of the overall width. ■

TO THE PRODUCT PAGE:



24/7 ONLINE
ORDERING VIA
TUULO

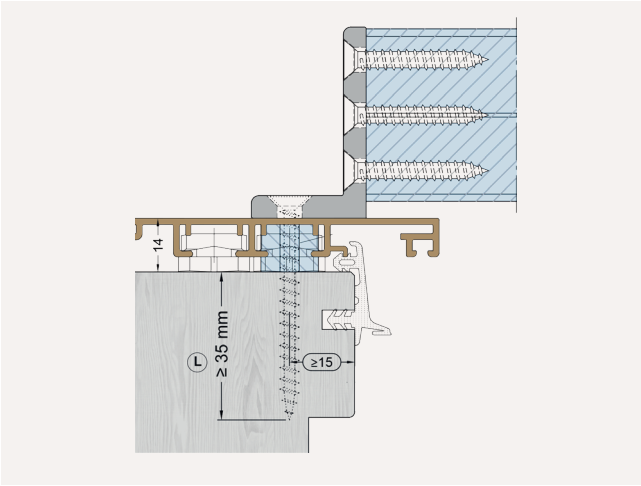


DIN 18004-4 WITH
ABP CERTIFICATE

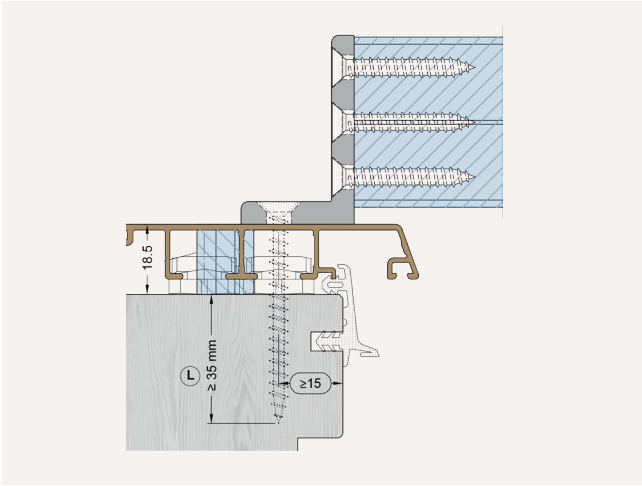


EASY
FITTING

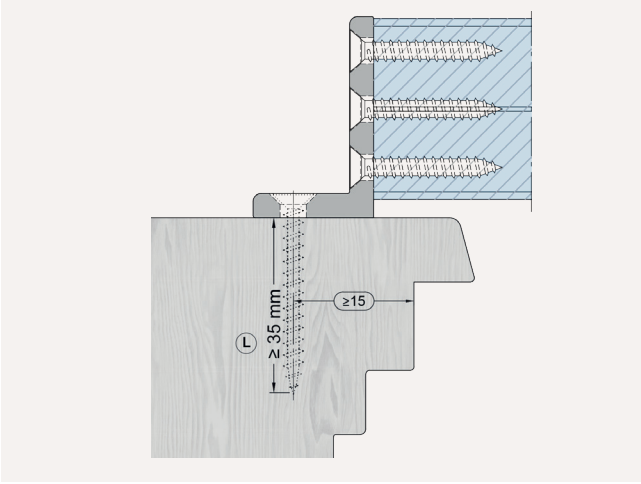
Can be mounted on frames made from wood-aluminium, wood, plastic and plastic-aluminium, regardless of the system supplier. ■



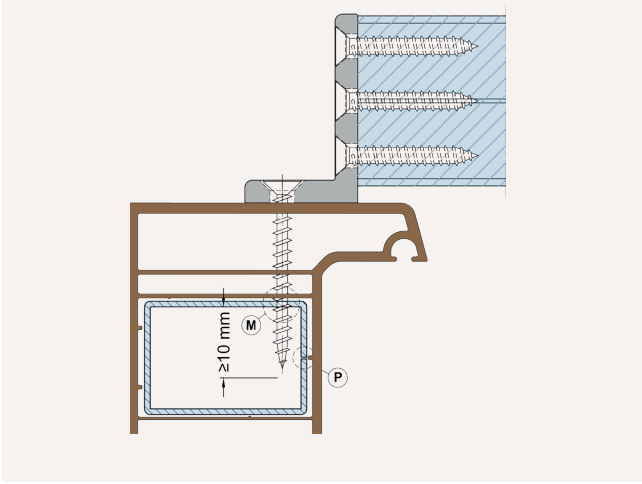
FPA WOOD-ALUMINIUM 18 MM



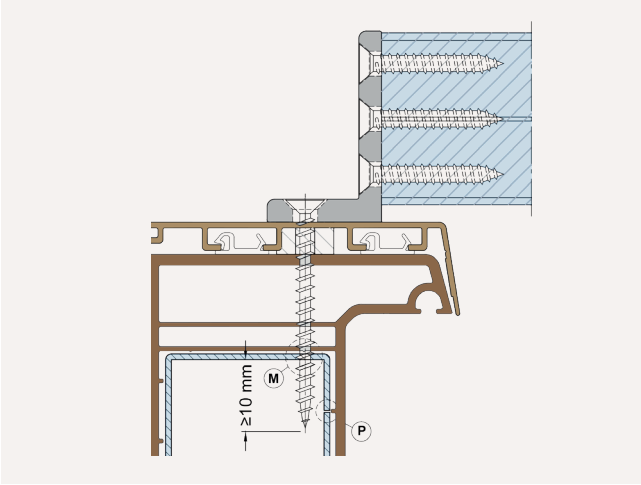
FPA WOOD-ALUMINIUM 14 MM



FPA WOODEN WINDOW



FPA PVC-SYSTEM



FPA PVC-ALUMINIUM SYSTEM

Illustrations not to scale

GUTMANN

MIRA CONTOUR

■ FENSTER- & FENSTERTÜR-SYSTEM

Our products are now conquering markets beyond Europe.

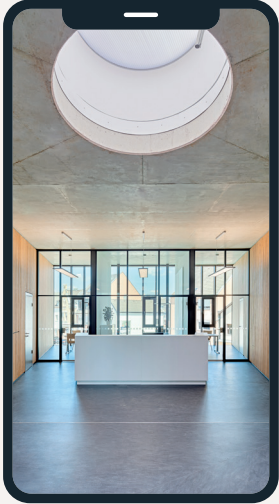
Our wood-aluminum window system MIRA contour has successfully passed system tests according to North American standards (NAFS) - with outstanding results! The tests were conducted in collaboration with ift-Rosenheim and UL-Solutions. ■



The NAFS 2011 (North American Fenestration Standard) is basically comparable to the European product standard EN 14351-1.



More information about the product:



GUTMANN

LARA GF

■ CURTAIN WALL SYSTEM LARA GF – EXTENSION

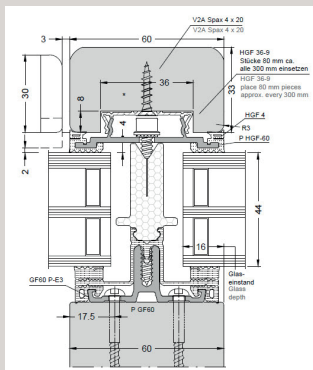
New system widths for LARA GF

The façade system Lara GF-System has been extended to meet the growing demand for mullion-transom façades with timber cladding.

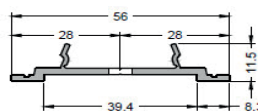
Now available in 60 mm and 80 mm system widths! ■



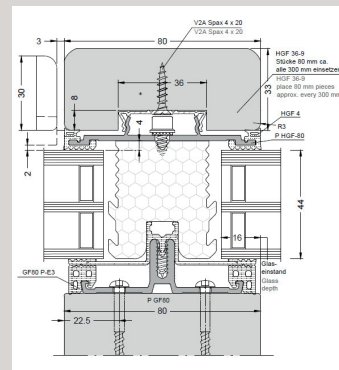
Cross Section Mullion 80mm with timber cover



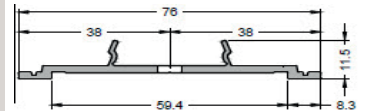
Product name: PHGF-60
 Art. no.: 556818
 Product group: Base profile



Cross Section Mullion 80mm with timber cover



Product name: PHGF-80
 Art. no.: 556809
 Product group: Base profile



Click here for the news:





GUTMANN Representatives Europe

LEGAL INFORMATION

GUTNEWS – Magazine for customers and partners of the GUTMANN Group

Nuernberger Strasse 57
D-91781 Weissenburg
www.gutmann-group.com

CONTACT THE EDITOR

Angela Ast
Tel. +49(9141)992-772
Mail: gutnews@gutmann.de

ILLUSTRATIONS TITLE AND CONTENT PAGES

Forest experience centre,
Schernfeld
Copyright: Simon Menges

ICONS

Adobe Stock

